

8 7 6 5 4 3 2 1

D

D

C

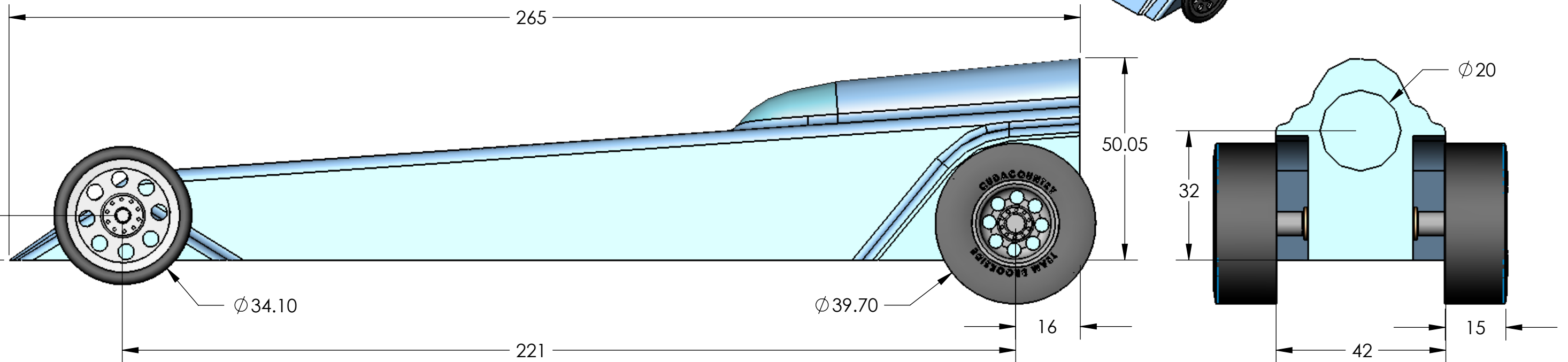
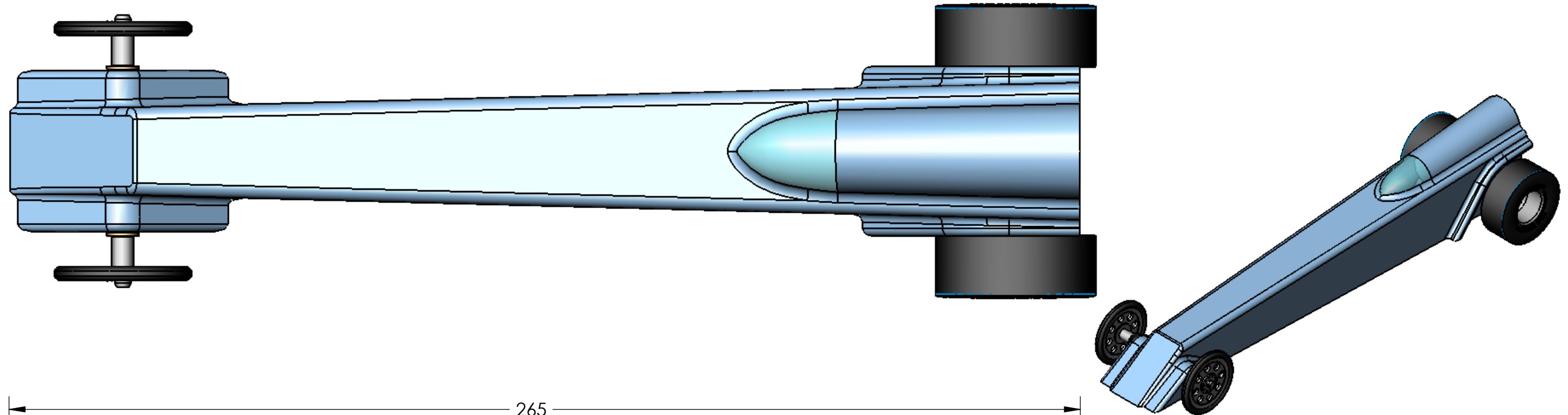
C

B

B

A

A



PROPRIETARY AND CONFIDENTIAL
 THE INFORMATION CONTAINED IN THIS DRAWING IS THE SOLE PROPERTY OF BROOKSIDE TECH ED. ANY REPRODUCTION IN PART OR AS A WHOLE WITHOUT THE WRITTEN PERMISSION OF BROOKSIDE TECH ED IS PROHIBITED.

		UNLESS OTHERWISE SPECIFIED: DIMENSIONS ARE IN INCHES TOLERANCES: FRACTIONAL ± ANGULAR: MACH ± BEND ± TWO PLACE DECIMAL ±		CHECKED	NAME	DATE	BROOKSIDE MIDDLE TECH ED	
		INTERPRET GEOMETRIC TOLERANCING PER:		ENG APPR.			TITLE: CO2 RAIL CAR	
NEXT ASSY		USED ON		MFG APPR.			SIZE	DWG. NO.
APPLICATION		FINISH		Q.A.			B	REV
DRAWN BY:				COMMENTS:			SCALE: 1:1	WEIGHT:
				PERIOD:	DATE: 1/2/2009		SHEET 1 OF 1	

8 7 6 5 4 3 2 1