

Chapter 3

ELECTRIC CIRCUIT

A. OPEN B FILE.

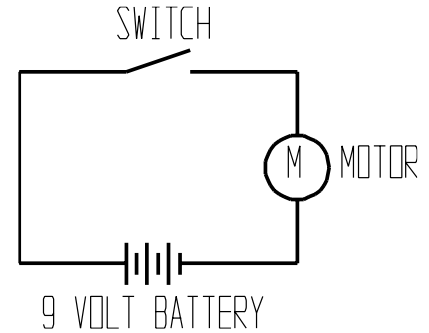
Step 1. When you start a new drawing always start with the B file (blank file). If you started this drawing the B file go directly to Steps B. If your did not start as the B file complete these Steps:

Step 2. Click the **File** from the Menu Bar.

Step 3. Click **Open** from the File Menu..

Step 4. Click **No** to save current part.

Step 5. Key in **a:b** for the filename and press ENTER.



B. SET THE SNAP TO .1

Step 1. **Set the Snap to .1.** Use CTRL-G. Hold down CTRL and press G. Change the **Snap Properties Increment** to **X = .1** and **Y = .1** Click OK, Fig. 1.

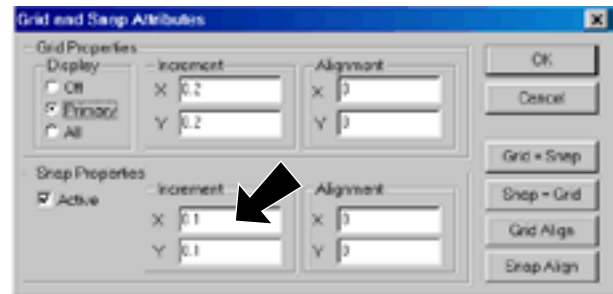


FIG. 1

C. DRAW LINES FOR BATTERY SYMBOL.

Step 1. ESC to Main Menu.

Step 2. F1 CREATE.

Step 3. F1 LINE.

Step 4. F1 ENDPOINTS.

Step 5. Draw the lines for the **battery symbol** in Fig. 2. Use the grid to determine the location of the lines.

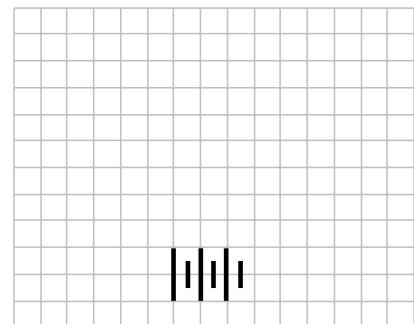


FIG. 2

D. SAVE TO DISK.

Step 1. Click the **File** Menu from the Menu Bar.

Step 2. Click **Save As** from the File Menu.

Step 3. Key in **a:circuit** for the filename and press ENTER.

Step 4. Press **ESC** for Part Description.

Fit on Screen ALT-A

Delete CTRL-Q

Redraw CTRL-R

Half Size ALT-H

E. DRAW LINES FOR WIRE AND SWITCH SYMBOL.

Step 1. ESC to Main Menu.

Step 2. F1 CREATE.

Step 3. F1 LINE.

Step 4. F1 ENDPOINTS.

Step 5. Draw the lines for the wire and switch in **Fig. 3**. Use the grid to determine the location of the lines.

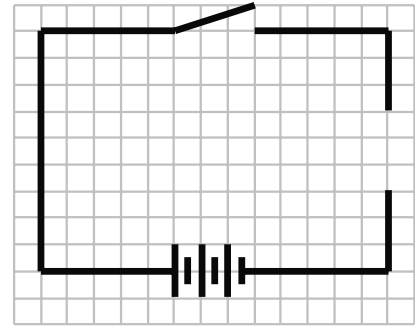


FIG. 3

Step 6. Save the drawing. Use **CTRL-S** to save. Hold down CTRL and press S.

F. MOTOR SYMBOL.

Step 1. ESC to Main Menu.

Step 2. F1 CREATE.

Step 3. F3 CIRCLE.

Step 4. F2 CENTER/DIAMETER.

Step 5. Key in **.6 for diameter** and press ENTER.

Step 6. Move the cursor to center location for the motor symbol and click, **Fig. 4**.

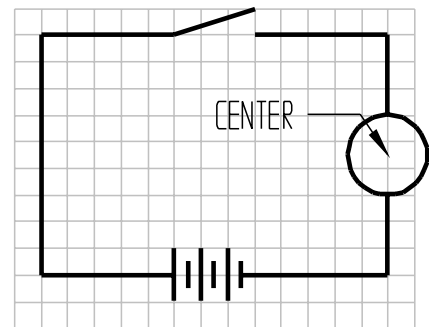


FIG. 4

Step 7. Save the drawing. Use **CTRL-S**.

G. LABEL THE SYMBOLS OF THE ELECTRIC CIRCUIT.

Step 1. ESC to Main Menu.

Step 2. F3 DETAIL.

Step 3. F2 NOTE.

Step 4. F1 KEY-IN.

Step 5. Lock the Caps, key in: **SWITCH**

Step 6. Click OK.

Step 7. Center the text bar over the **switch symbol** and click, **Fig. 5**.

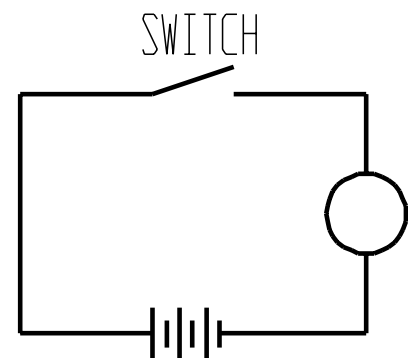


FIG. 5

Fit on Screen ALT-A	Delete CTRL-Q	Redraw CTRL-R	Half Size ALT-H
---------------------	---------------	---------------	-----------------

Step 8. F10 BACKUP.

Step 9. Label the **MOTOR, 9 VOLT BATTERY** and place a **M** in the center of the motor symbol. Use F10 BACKUP to enter new text, **Fig. 6**.

Step 10. Save the drawing. Use **CTRL-S**.

H. ADD YOUR NAME AND THE PERIOD TO DRAWING.

Step 1. ESC to Main Menu.

Step 2. F3 DETAIL.

Step 3. F2 NOTE.

Step 4. F1 KEY-IN.

Step 5. Lock the Caps, key in: DRAWN BY: FIRST AND LAST NAME AND FIRST AND LAST NAME AND PERIOD 1 (or whatever your period is).

Step 6. Click OK.

Step 7. Use **Alt-H** to reduce the drawing half size. Hold down ALT and press H.

Step 8. Center the text bar at the bottom of the drawing and click.

Step 9. Save the drawing. Use **CTRL-S**.

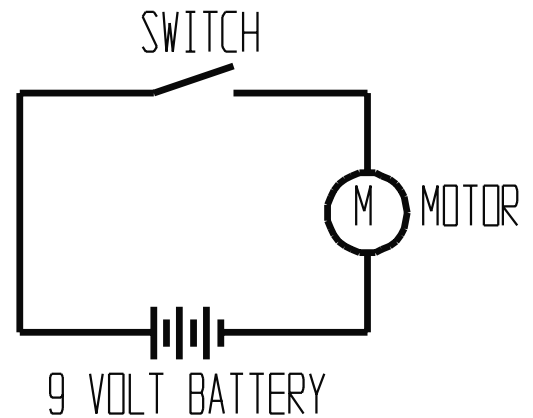


FIG. 6

Fit on Screen ALT-A	Delete CTRL-Q	Redraw CTRL-R	Half Size ALT-H
---------------------	---------------	---------------	-----------------