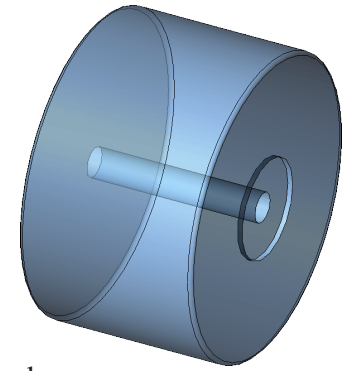




CO2 Rail Car E Rear Wheel



A. Save As.

- Step 1. Open your FRONT WHEEL file.
- Step 2. Click File Menu > Save As.
- Step 3. In the Save As dialog box, key-in REAR WHEEL for filename and click Save.

B. Edit Revolve Sketch.

- Step 1. Click **Revolve1** in the Feature Manager and **Edit Sketch**  from the Content toolbar, **Fig. 1**.
- Step 2. Click **Normal To**  on the Standard Views toolbar. (**Ctrl-8**)
- Step 3. **Delete two angled lines and 181 degree dimension and the 5 dimension, Fig. 2 and Fig. 3.** To delete, Ctrl click the two lines and two dimensions and press Delete key.

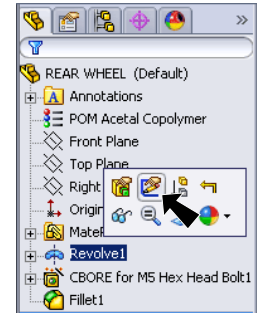


Fig. 1

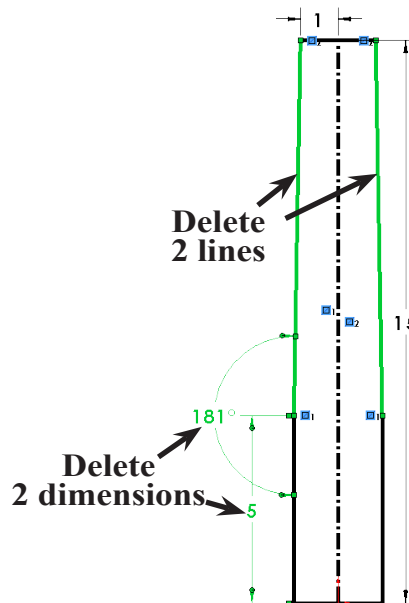


Fig. 2

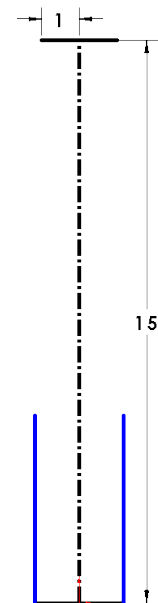


Fig. 3

Step 4. Click **Trim Entities**  (S) on the Sketch toolbar.

Step 5. In the Property Manger select:

Corner , Fig. 4.

Click vertical line and horizontal at top to trim/extend to corner, **Fig. 5**.

Results shown in **Fig. 6**.

Repeat on other side, click other vertical line and horizontal at top to trim to corner, **Fig. 7**.

Results shown in **Fig. 8**.

Click OK  in the Property Manager.

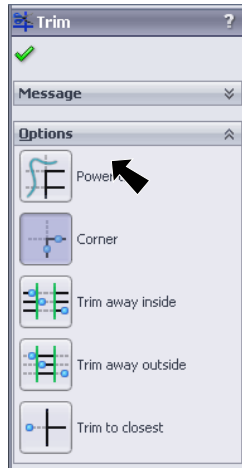


Fig. 4

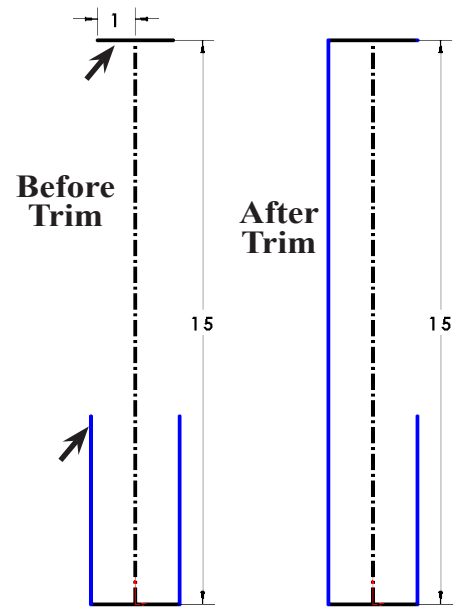
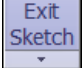


Fig. 5

Fig. 6

Step 6. Click **Smart Dimension**  (S) on the Sketch toolbar.

Step 7. Dimension top line 18, **Fig. 9**.

Step 8. Click **Exit Sketch**  on the Sketch toolbar.

Step 9. Click **Isometric**  on the Standard Views toolbar.

Step 10. Save. Use **Ctrl-S**.

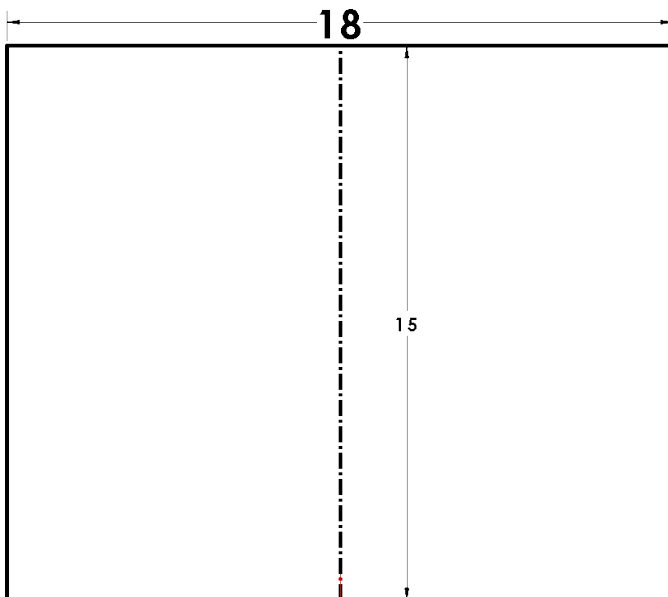


Fig. 9

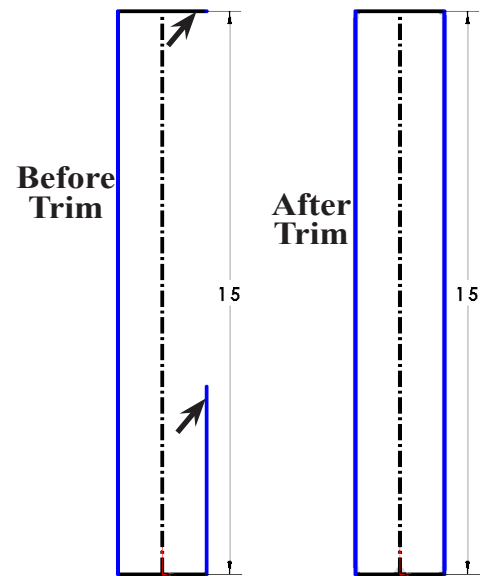


Fig. 7

Fig. 8

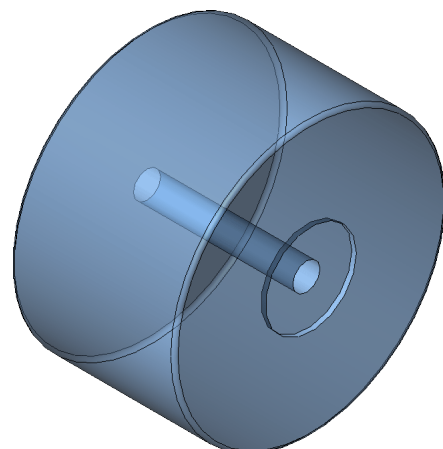


Fig. 10